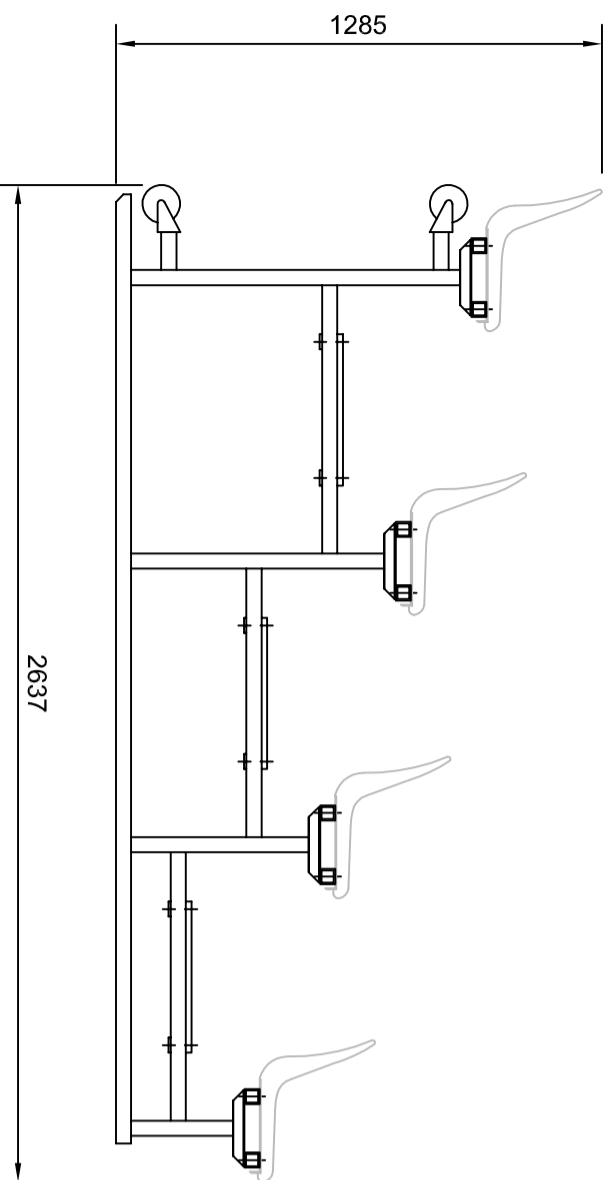
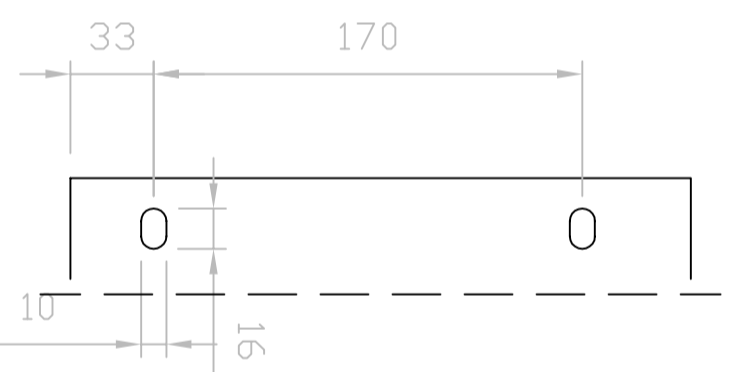


1 Front Elevation
Scale 1:20 @ A3



2 Foot Plate Detail
Scale 1:20 @ A3



3 Detail A-A (Seat Fixings)
Scale 1:3 @ A3



Please note:
This drawing is intended as a guide only. Sport Alpha UK should be consulted to approve any fixing provisions prior to installation. Please note that non-standard fixings which require specialised fixing or additional drilling, etc. may incur additional charges. If in doubt, contact us.

Rev.	Description:	Date:	By:

Drawing Name:
SEA-ARC-WHL
Arcadia Mobile Seating Units
4-Row Version
2 x Seating Units + 1 x Stair Unit

Drawn By:	MS
Date:	16/07/15
Checked By:	CLK
Scale:	1:20 @ A3

Sport Alpha UK Ltd
Unit 5, Burnbank Business Units
Souter Head Road
Aldens Industrial Estate
Aberdeen AB12 3LF

T: 01224 899559
E: info@sportalphauk.com
W: www.sportalphauk.com