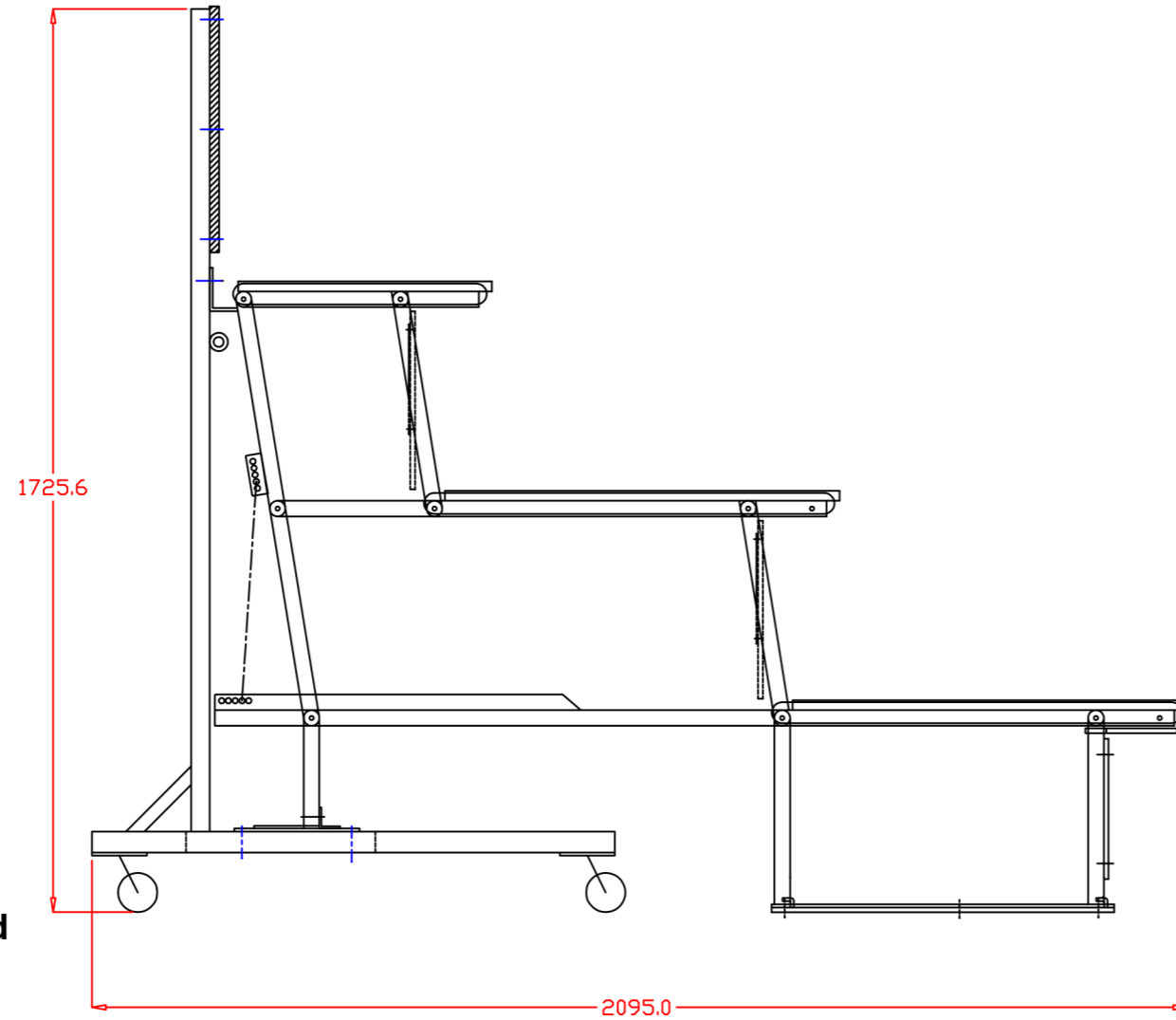
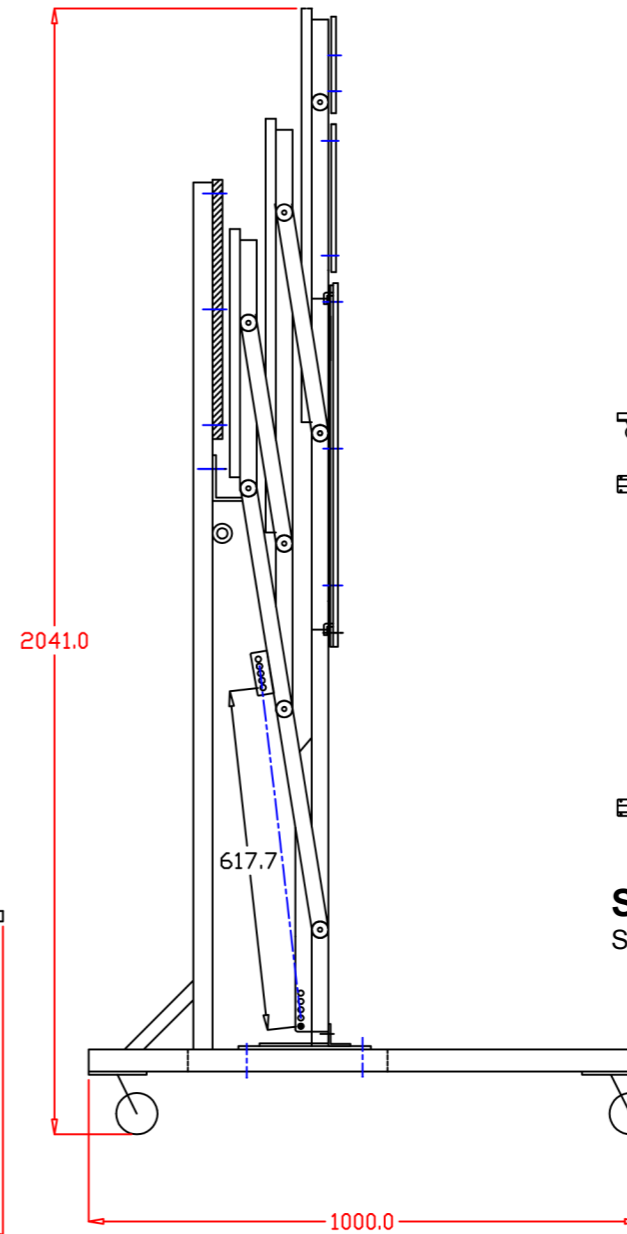


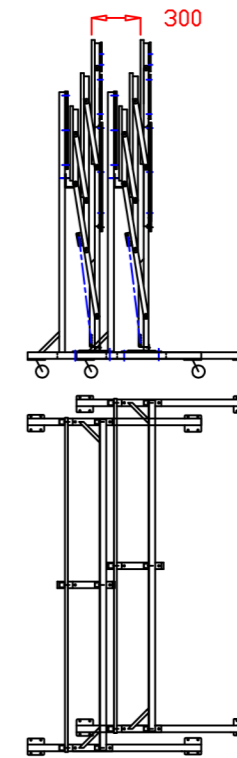
Side View Mid-Section Folded
Scale: NTS



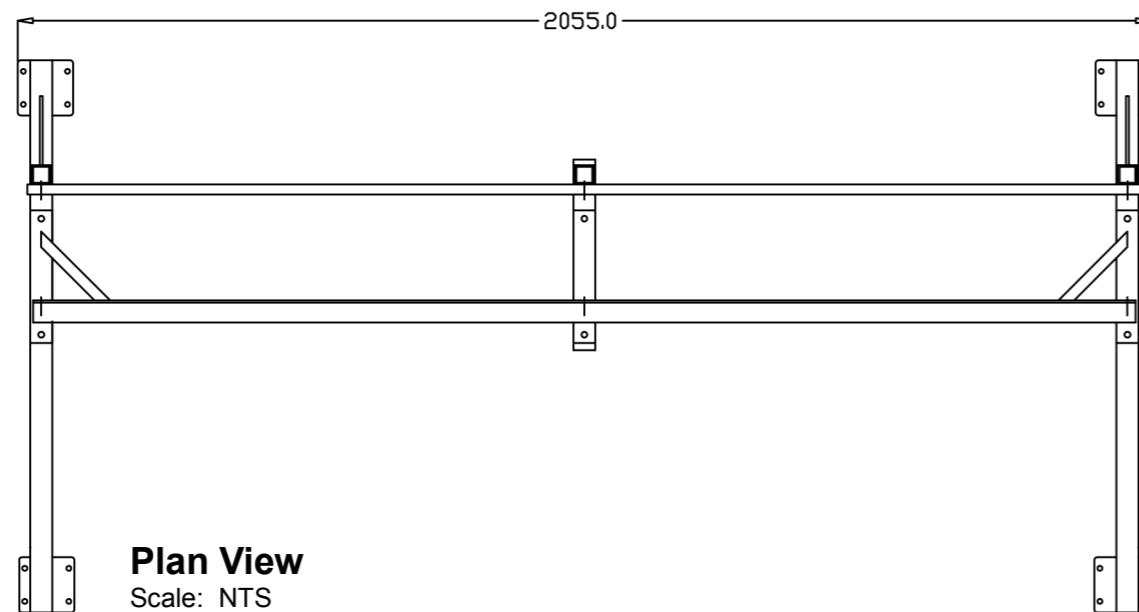
Side View - Unfolded
Scale: NTS



Side View - Folded
Scale: NTS



Stacking Arrangement
Scale: NTS



Plan View
Scale: NTS



Please note:
This drawing is intended as a guide only. Sport Alpha UK should be consulted to approve any fixing provisions prior to installation. Please note that non-standard fixings which require specialised fixing or additional drilling, etc. may incur additional charges. If in doubt, contact us.

Rev.	Description	Date:	By:
Drawing Name: SEA-FOL-P-3 Foldable Bleachers Portable Version 3-Row Manually Operated			
Drawn By:	MS		
Date:	10-04-14		
Checked By:	GJK		
Scale:	NTS		
Sport Alpha UK Ltd Unit 5, Burnbank Business Units Souter Head Road Altens Industrial Estate Aberdeen AB12 3LF			
		T: 01224 899959 E: info@sportalphauk.com W: www.sportalphauk.com	