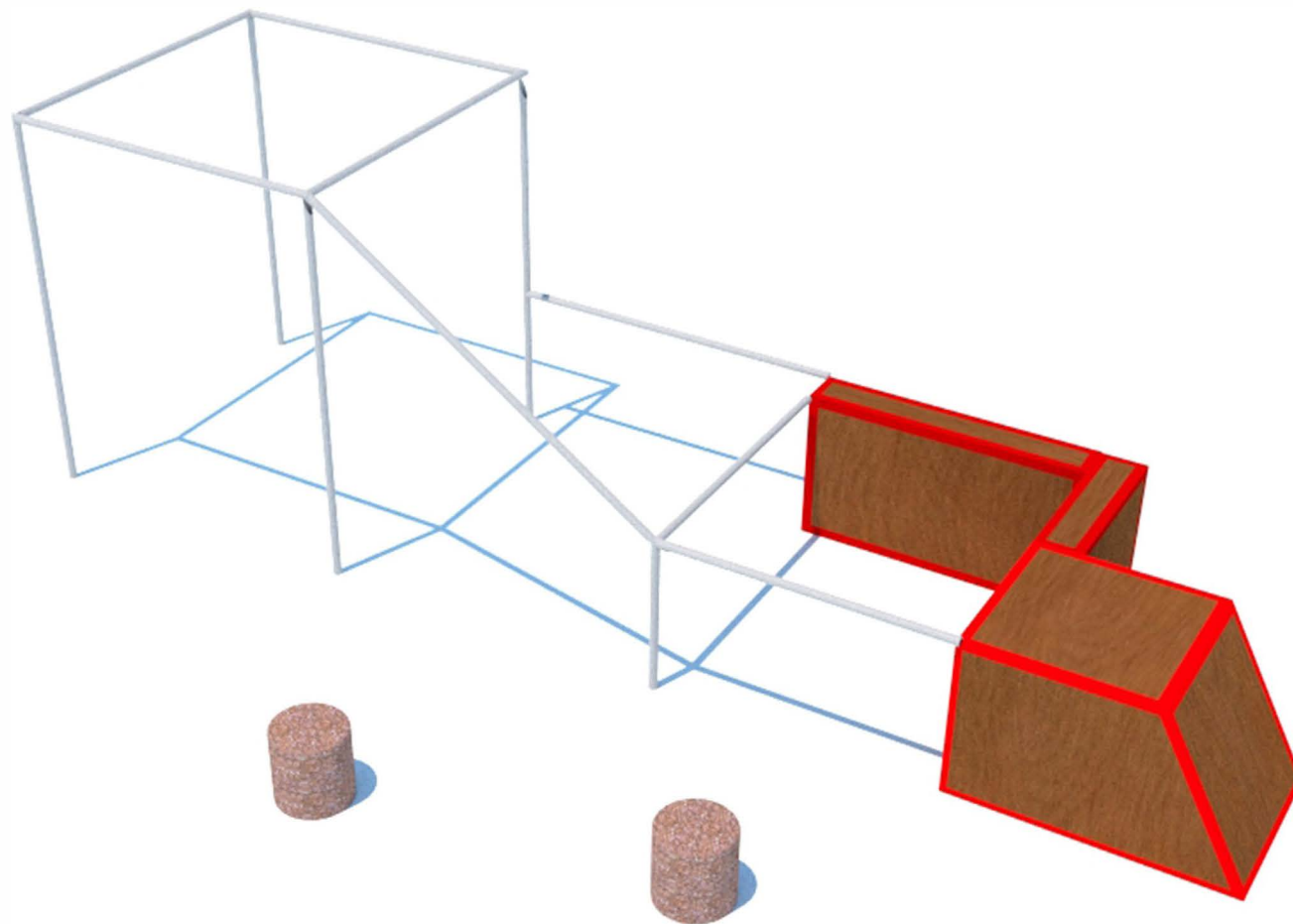


PARKOUR START

PRODUCT NO. PKD-32



DEVICE DIMENSIONS	7 x 3 m
MAX HEIGHT	2,2 m
SAFETY AREA	10 x 6 m
FOUNDATION DEPTH	0,8 m

*Dimensions may vary by 5%.

PARKOUR START

PRODUCT NO. PKD-32

PARAMETERS:

Device dimensions: 7 x 3 m

Maximum height: 2.2 m

Safety zone: 10 x 6 m

Foundation depth: 0.8 m

Notes: Dimensions may vary by 5%.

DESCRIPTION:

Ready for a good time? Start! Our mini parkour park with this name invites you to have fun. Its compact dimensions make it ideally suited to complement larger land development, additionally not generating major costs. The potential of the Start kit is huge!

ELEMENTS:

Plywood boxes, High tubes, Low tubes, 2 x large roller

MATERIALS:

Boxes made of waterproof laminated anti-slip plywood and powder-coated galvanized steel profiles. Galvanized or galvanized and powder coated pipes. Pipe fasteners and galvanized screws. Polyurethane roller.

FOUNDATION / SURFACE:

The foundations are designed of C20 / 25 (B 25) concrete as cuboidal blocks. The required surface - sand, gravel, rubber (in accordance with the PN-EN 1776-1: 2017 standard).

TECHNICAL DRAWING:

